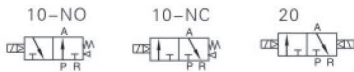


## Solenoid valve (three-port and two-position) 3V200 series



### Symbol

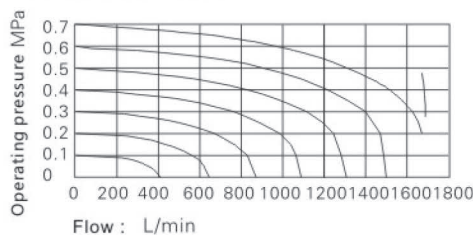


### Product Performance

1. It has the guide mode, and the external and internal parts are optional;
2. With the sliding column type structure, it has good sealing performance and sensitive response;
3. The double-end solenoid valve has the memory function;
4. The inner hole is applied with special processing technology, which has small friction resistance, low starting pressure, and long service life;
5. It has no oil filling and lubrication needs;
6. It is attached with manual device, which is convenient for installation and debugging;
7. There are a number of standard voltage grades for selection and use;
8. With the valve group integrated with base, it can save installation space.

### Flow characteristics

Model : 3V210-08-NO



### Specification

Model	3V210-06	3V220-06	3V210-08	3V220-08
Working Medium	Air (to be filtered by 40µm filter element)			
Action Mode	Guide - Type			
Port size <sup>①</sup>	Air Inlet=Air Outlet=PT1/8		Air Inlet=Air Outlet=PT1/4	
Effective Sectional Area	14mm <sup>2</sup> (Cv=0.78)		16.0mm <sup>2</sup> (Cv=0.89)	
Position number	Three-port and two-position			
Lubrication <sup>②</sup>	Not required			
Working pressure range	0.15~0.8MPa(21~114psi)			
Guarantee pressure resistance	1.5MPa(215psi)			
Working temperature°C	-20~70			
Body material quality	Aluminum alloy			

①The port thread forms of NPT and G are available.

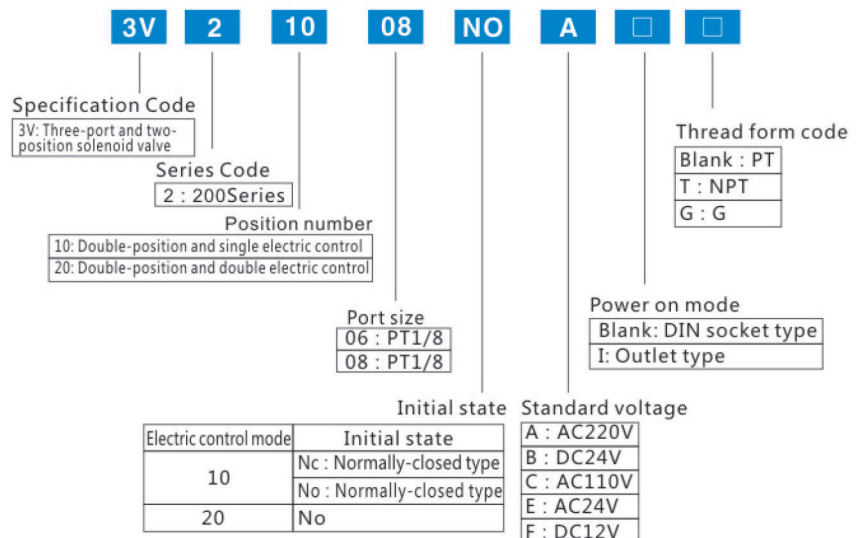
②Oil filling and lubrication can't be stopped in the half way. L ISO VG32 or equivalent lubricating oil is recommended.

### Coil specification

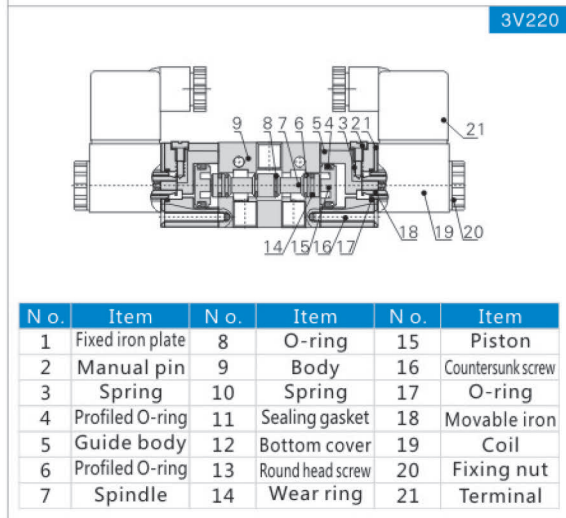
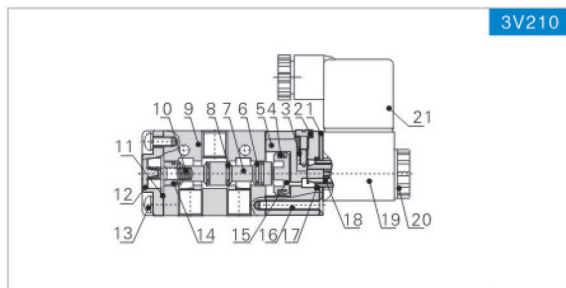
Item	Specific parameters			
Standard voltage	AC220V	AC110V	AC24V	DC24V DC12V
Operating voltage range	AC : ±15%		DC : ±10%	
Power consumption	AC : 3.5VA		DC : 3.0W	
Protection grade	IP65(DIN40050)			
Heat resistance grade	B Class			
Power on type	DIN socket type and outlet type			
Excitation time	0.05sec and below			
Highest actuation frequency <sup>①</sup>	5 cycle/sec			

①The highest actuation frequency is a no-load state.

### Finished product ordering code



### Inner structure



N o.	Item	N o.	Item	N o.	Item
1	Fixed iron plate	8	O-ring	15	Piston
2	Manual pin	9	Body	16	Countersunk screw
3	Spring	10	Spring	17	O-ring
4	Profiled O-ring	11	Sealing gasket	18	Movable iron
5	Guide body	12	Bottom cover	19	Coil
6	Profiled O-ring	13	Round head screw	20	Fixing nut
7	Spindle	14	Wear ring	21	Terminal

### Overall Dimension

